

Quality C

4K High Performa

Product Catalog

Supply **COMTEVISION<sup>®</sup>**

DEDICATED IN PREMIUM SCREENS

Effective

projection scree

Supply Chain

professiona

Product Catalog



DEDICATED IN PREMIUM SCREENS  
**COMTEVISION**®

# Table of Contents

- 01** About Comtevision
- 03** Screen Surface Specification
- 04** Zero Edge Fixed Frame Screen - Edge-SN Series
- 05** Fixed Frame Screen - Fixed-CF2.5 Series
- 06** Fixed Frame Screen - Fixed-EF4 Series
- 07** Curved Fixed Frame Screen - Curved-SC Series
- 08** In-Ceiling Tab Tensioned Screen - TIC-SL Series
- 09** In-Ceiling Motorized Screen - MIC-SG Series
- 10** Tab Tensioned Screen - TAB-ST Series
- 11** Tab Tensioned Screen - TAB-ET Series
- 12** Tab Tensioned Screen - TAB-CT Series
- 13** Motorized Screen - Motor-SE Series
- 14** Motorized Screen - Motor-EE Series
- 15** Motorized Screen - Motor-CE Series
- 16** Manual Screen - Manual-CW Series
- 17** Motorized Floor Stand Screen - E Floor-ED Series
- 18** Floor Stand Screen - Floor-CD Series
- 19** Tripod Screen - Tripod-CZ Series
- 20** Fast Fold Screen - Fold-EQ Series



# 4K High Performance Projection Screen

Established in 2005, COMTEVISION is a leading professional manufacturer in the high-end projection screen industry for more than 10 years. COMTEVISION is dedicated in designing and manufacturing the highest quality projection screen to optimize the effect of any technology projectors, especially for the 4K projectors. We offer a wide range of projection screens and top grade 4K screen surface for your options. In COMTEVISION, you can always find the best match screens for your projectors.

## Why Choose Us

### Advanced Optical coating technology

Our advanced screen surface coating line and experienced engineers ensure that we produce the highest performance screens.

### Quality Control

COMTEVISION put the quality into the first priority. COMTEVISION is ISO 9001 certified enterprise. We strictly design and manufacture according to the high industrial standard. From a little screw to the large aluminum casing, we use the best components and material to ensure every detail to be perfect. All our suppliers are awarded with ISO 9001. We have extremely low defect rate for our projection screens. Every screen of COMTEVISION is made from the hands of 10-years experienced engineers. Moreover, our QC department is very strict in the quality control of every screen. The high quality and low defect rate is the best support to our customers.

### Research & Development

COMTEVISION attaches great importance and make huge investment in the R&D for the newest products in the projection screen trend. You can always find in our product catalog for the state-of-the-art products. The Zero Edge 4K Fixed frame screens with genuine 1.35 gain ECO5D surface is our newest product. All our screens have unique elegant design, which will differentiate your product line with other traditional design. Our In-Ceiling Tab Tensioned Screen is one of our most competitive products, which you will never miss. Besides, COMTEVISION can fully customize the screens according to your requirement.

### Attention to Details

COMTEVISION pays close attention to every detail of the screens. Using our precise process to ensure every part to be perfect, we aim to let our customers enjoy our premium products for a long time of usage free of trouble.











# Zero Edge Fixed Frame Screen

## Edge-SN Series

### Features

Stunning only 10mm frame, its borderless design resembles a giant size flat panel TV display.

The LED backlight kit is optional for a more impressive and ambient glow framing the picture and amplify your presentation.

Optional ECO5D anti-ambient light screen surface with 1.35 high gain achieves an unprecedented performance.

Texture-free and no hot spotting.

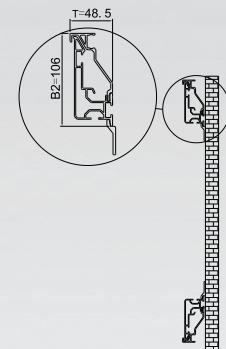
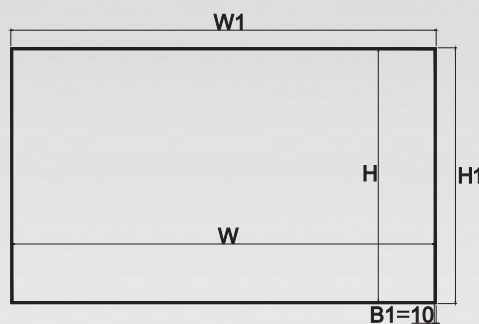
Unique tensioning systems to assure a perfectly flat screen surface.

Professional packing solution to reduce risk of transportation damage and ensure everything arrives safely.

### Surfaces available

ECO5D 1.35	Weave Acoustic HD 1.0
Villa White 4K 1.1	Weave Acoustic 4K 1.1
Villa Grey 4K 0.8	Micro Acoustic 4K 1.1
Dual Vision HD 1.0	UltraSilver 3D 2.4
Dual Vision 4K 1.1	Rear Pro HD 1.1
Cinehawk 0.8	

### Unit: mm



### Specifications

Format	Model	Diag Size inch	Viewing Size W×H	Overall Size W1×H1	B1	B2	T	Package Volume			GW (Kg)
								PL	PW	PH	
HDTV 16:9	FSN9092	92"	2037×1146	2057×1166	10	106	48.5	2137	320	125	23.5
	FSN9100	100"	2214×1245	2234×1265	10	106	48.5	2314	320	125	25.5
	FSN9110	110"	2435×1370	2450×1390	10	106	48.5	2535	320	125	28.0
	FSN9120	120"	2657×1494	2677×1514	10	106	48.5	2757	320	125	30.6
	FSN9135	135"	2989×1681	3009×1701	10	106	48.5	3089	320	125	34.3
	FSN9150	150"	3321×1868	3341×1888	10	106	48.5	3421	320	125	38.2
Cinemascope 2.35:1	FSN2094	94"	2197×935	2217×955	10	106	48.5	2297	320	125	23.0
	FSN2113	113"	2641×1124	2661×1144	10	106	48.5	2741	320	125	27.5
	FSN2127	127"	2968×1263	2988×1283	10	106	48.5	3068	320	125	31.0
	FSN2138	138"	3225×1372	3245×1392	10	106	48.5	3325	320	125	33.8
	FSN2142	142"	3319×1412	3339×1432	10	106	48.5	3419	320	125	35.0

(Above specification is only for reference. Please refer to our website for more specification.)



# Fixed Frame Screen

# Fixed-CF2.5 Series

## Features

2.5" (6.3cm) heavy duty aluminum frame with beveled edge, wrapped in high density premium black velour by hand.

Easy clip and spring systems designed in one structure makes it easily and quickly to attach the fabric to the frame.

Unique tensioning systems to assure a perfectly flat screen surface.

Split-frame design facilitates lower shipping costs without sacrificing quality.

Professional packing solution to reduce risk of transportation damage and ensure everything arrives safely.

## Surfaces available

ECO5D 1.35

Villa White 4K 1.1

Villa Grey 4K 0.8

Dual Vision HD 1.0

Dual Vision 4K 1.1

Cinehawk 0.8

Weave Acoustic HD 1.0

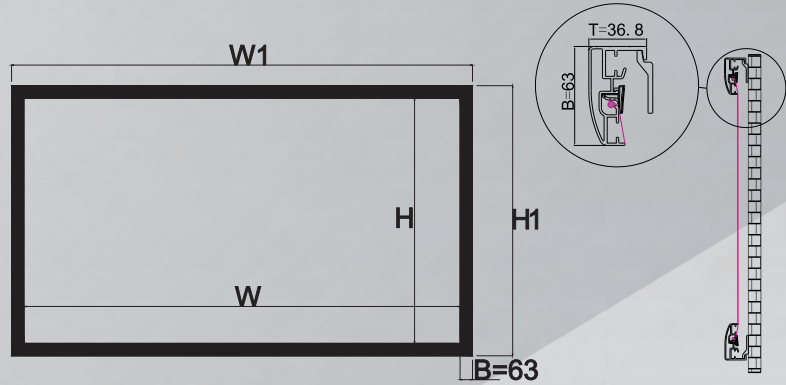
Weave Acoustic 4K 1.1

Micro Acoustic 4K 1.1

UltraSilver 3D 2.4

Rear Pro HD 1.1

Unit: mm

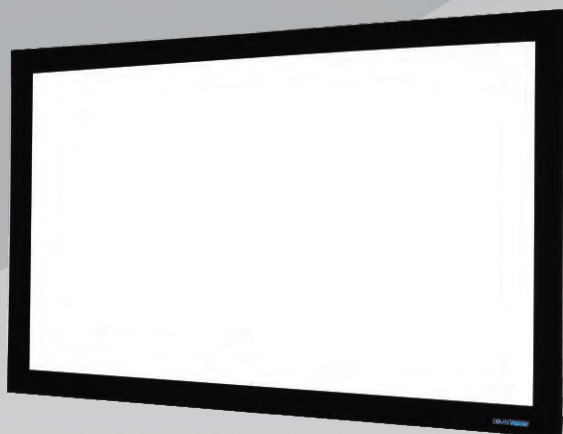


## Specifications

Format	Model	Diag Size inch	Viewing Size W×H	Overall Size W1×H1	B	T	Package Volume			GW (Kg)
							PL	PW	PH	
HDTV 16:9	FCF9092	92"	2037×1146	2163×1272	63	36.8	1356	300	85	13.0
	FCF9100	100"	2214×1245	2340×1371	63	36.8	1455	300	85	14.0
	FCF9106	106"	2347×1320	2473×1446	63	36.8	1530	300	85	14.8
	FCF9110	110"	2435×1370	2561×1496	63	36.8	1580	300	85	15.3
	FCF9120	120"	2657×1494	2783×1620	63	36.8	1704	300	85	16.5
	FCF9135	135"	2989×1681	3115×1807	63	36.8	1891	300	85	18.5
Cinemascope 2.35:1	FCF2094	94"	2197×935	2323×1061	63	36.8	1308	300	85	12.8
	FCF2113	113"	2641×1124	2767×1250	63	36.8	1530	300	85	15.0
	FCF2127	127"	2968×1263	3094×1389	63	36.8	1694	300	85	17.0

(Above specification is only for reference. Please refer to our website for more specification.)





# Fixed Frame Screen

# Fixed-EF4 Series

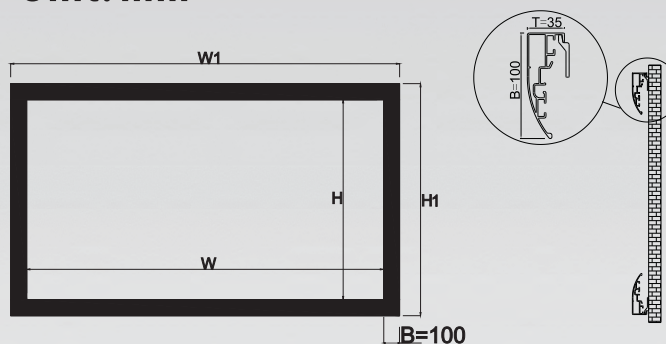
## Features

- 4" (10cm) heavy duty aluminum frame with beveled edge, wrapped in high density premium black velour by hand.
- Easy clip and spring systems designed in one structure makes it easily and quickly to attach the fabric to the frame.
- Unique tensioning systems to assure a perfectly flat screen surface.
- Split-frame design facilitates lower shipping costs without sacrificing quality.
- Professional packing solution to reduce risk of transportation damage and ensure everything arrives safely.

## Surfaces available

- ECO5D 1.35
- Villa White 4K 1.1
- Villa Grey 4K 0.8
- Dual Vision HD 1.0
- Dual Vision 4K 1.1
- Cinehawk 0.8
- Weave Acoustic HD 1.0
- Weave Acoustic 4K 1.1
- Micro Acoustic 4K 1.1
- UltraSilver 3D 2.4
- Rear Pro HD 1.1

## Unit: mm



## Specifications

Format	Model	Diag Size inch	Viewing Size W×H	Overall Size W1×H1	B	T	Package Volume			GW (Kg)
							PL	PW	PH	
HDTV 16:9	FEF9092	92"	2037×1146	2237×1346	100	35	1437	380	135	16.5
	FEF9100	100"	2214×1245	2414×1445	100	35	1536	380	135	17.8
	FEF9120	120"	2657×1494	2857×1694	100	35	1785	380	135	21.0
	FEF9135	135"	2989×1681	3189×1881	100	35	1972	380	135	23.0
	FEF9150	150"	3321×1868	3521×2068	100	35	2159	380	135	25.8
	FEF9180	180"	3985×2242	4185×2442	100	35	2533	380	135	30.5
	FEF9200	200"	4428×2491	4628×2691	100	35	2782	380	135	34.0
Cinemascope 2.35:1	FEF2094	94"	2197×935	2397×1135	100	35	1389	380	135	16.3
	FEF2113	113"	2641×1124	2841×1324	100	35	1611	380	135	19.0
	FEF2127	127"	2968×1263	3168×1463	100	35	1775	380	135	21.3
	FEF2142	142"	3319×1412	3519×1612	100	35	1950	380	135	23.6
	FEF2165	165"	3856×1641	4056×1841	100	35	2219	380	135	27.0
	FEF2184	184"	4300×1830	4500×2030	100	35	2441	380	135	30.0
	FEF2240	240"	5609×2387	5809×2587	100	35	3095	380	135	38.6

(Above specification is only for reference. Please refer to our website for more specification.)



# Curved Fixed Frame Screen

## Curved-SC Series

### Features

4" (10cm) heavy duty aluminum frame wrapped in premium black velvet, curved type 15-30° radian .

Easy clip and spring systems designed in one structure makes it easily and quickly to attach the fabric to the frame.

Almost seamless cut corner enhance elegant experience.

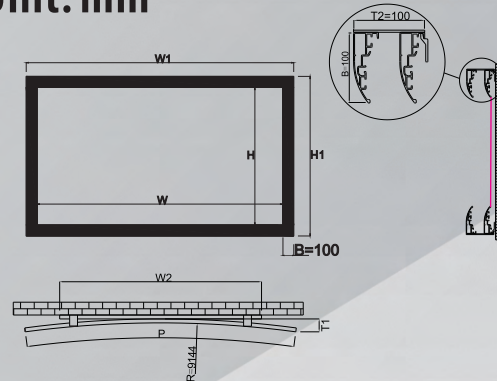
Unique tensioning systems to assure a perfectly flat screen surface.

Professional packing solution to reduce risk of transportation damage.

### Surfaces available

ECO5D 1.35	Weave Acoustic HD 1.0
Villa White 4K 1.1	Weave Acoustic 4K 1.1
Villa Grey 4K 0.8	Micro Acoustic 4K 1.1
Dual Vision HD 1.0	UltraSilver 3D 2.4
Dual Vision 4K 1.1	Rear Pro HD 1.1
Cinehawk 0.8	

### Unit: mm



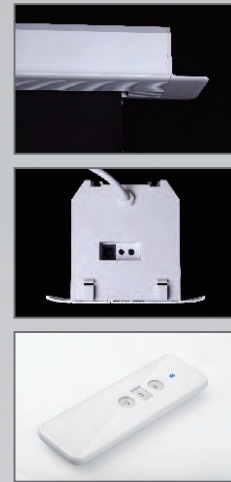
### Specifications

Format	Model	Diag Size inch	Viewing Size W×H	Overall Size W1×H1	Radian P	Radian Height T1	T2	Package Volume			GW (Kg)
								PL	PW	PH	
HDTV 16:9	FSC9100	100"	2214×1245	2426×1447	15°	125	100	1574	420	380	18.0
	FSC9120	120"	2657×1494	2871×1696	18°	157	100	1823	420	380	21.5
	FSC9135	135"	2989×1681	3204×1883	20°	185	100	2010	420	380	24.0
	FSC9150	150"	3321×1868	3537×2070	22°	216	100	2197	420	380	28.0
	FSC9180	180"	3985×2242	4202×2444	26°	287	100	2571	420	380	31.0
	FSC9200	200"	4428×2491	4646×2693	29°	324	100	2820	420	380	35.0
Cinemascope 2.35:1	FSC2094	94"	2197×935	2409×1137	15°	124	100	1529	420	380	16.5
	FSC2113	113"	2641×1124	2855×1326	18°	156	100	1751	420	380	20.0
	FSC2127	127"	2968×1263	3183×1465	20°	183	100	1914	420	380	22.0
	FSC2142	142"	3319×1412	3535×1614	22°	216	100	2089	420	380	24.0
	FSC2165	165"	3856×1641	4074×1843	26°	273	100	2358	420	380	28.0
	FSC2184	184"	4301×1830	4519×2032	29°	326	100	2581	420	380	31.0

(Above specification is only for reference. Please refer to our website for more specification.)







# In-Ceiling Tab Tensioned Screen

## TIC-SL Series

### Features

The flush and sleek aluminium housing integrates seamlessly in any home theater and office, providing the best concealed screen solution.

Designed for easy installation and no drywall patching required.

A large roller tube, a heavy weight bar and the precisely tensioned tabs works together to assure perfectly flat surface.

Quiet tubular heavy duty motor makes the screens roll up and down smoothly.

23" (60cm) extra black drop to suits more different needs.

### Control Systems

RF remote control

Wall Control

IR remote control(Optional)

Built-in 12V wire trigger (Optional)

12V wireless trigger(Optional)

RS232 (Optional)

### Surfaces available

Tension White 4K 1.1

Dual Vision 4K 1.1

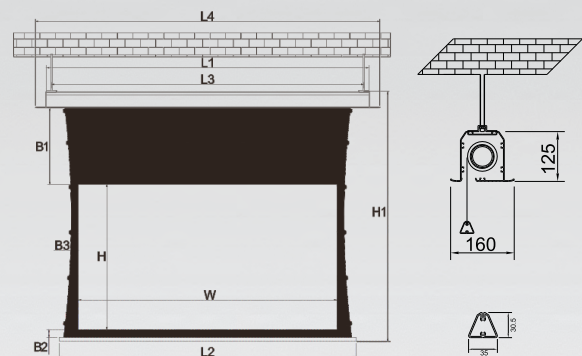
Weave Acoustic HD 1.0

Weave Acoustic 4K 1.1

UltraSilver 3D 2.4

Rear Pro HD 1.1

### Unit: mm



### Specifications

Format	Model	Diag Size inch	Viewing Size W×H	Border				Height H1	Length L1	Bottom Shaft Length L2	Assemble Distance L3	Casing Length L4	Package Volume			GW (Kg)
				B1	B2	B3	T1						PL	PW	PH	
HDTV 16:9	TIC9092	92"	2032×1143	800	60	60	60	2128	2532	2342	2552	2662	2782	220	180	24.3
	TIC9100	100"	2214×1245	600	60	60	60	2030	2714	2524	2734	2844	2964	220	180	25.5
	TIC9106	106"	2347×1320	500	60	60	60	2005	2847	2657	2867	2977	3097	220	180	26.4
	TIC9112	112"	2480×1395	500	60	60	60	2080	2980	2790	3000	3110	3230	220	180	33.2
	TIC9120	120"	2657×1494	400	60	60	60	2080	3157	2967	3177	3287	3407	220	180	34.3
	TIC9135	135"	2989×1681	300	60	60	60	2166	3489	3299	3509	3619	3739	220	180	39.6
	TIC9150	150"	3321×1868	200	60	60	60	2253	3851	3661	3871	3981	4101	220	180	48.6
Cinemascope 2.35:1	TIC2094	94"	2197×935	800	60	60	60	1920	2697	2507	2717	2827	2947	220	180	24.4
	TIC2113	113"	2641×1124	800	60	60	60	2109	3141	2951	3161	3271	3391	220	180	31.4
	TIC2127	127"	2968×1263	600	60	60	60	2048	3468	3278	3488	3598	3718	220	180	43.2
	TIC2135	135"	3155×1343	500	60	60	60	2028	3655	3465	3675	3785	3905	220	180	44.1
	TIC2142	142"	3321×1413	500	60	60	60	2098	3821	3631	3841	3951	4071	220	180	45.2

(Above specification is only for reference. Please refer to our website for more specification.)

# In-Ceiling Motorized Screen

## MIC-SG Series

### Features

The flush and sleek aluminium housing integrates seamlessly in any home theater and office, providing the best concealed screen solution. Designed for easy installation and no drywall patching required.

Optional four-layer fiberglass enforce screen material which is extremely strong and resilient.

Quiet tubular heavy duty motor makes the screens rolls up and down smoothly.

23" (60cm) extra black drop to suits more different needs.

### Control Systems

RF remote control

Wall Control

IR remote control(Optional)

Built-in 12V wire trigger (Optional)

12V wireless trigger(Optional)

RS232 (Optional)

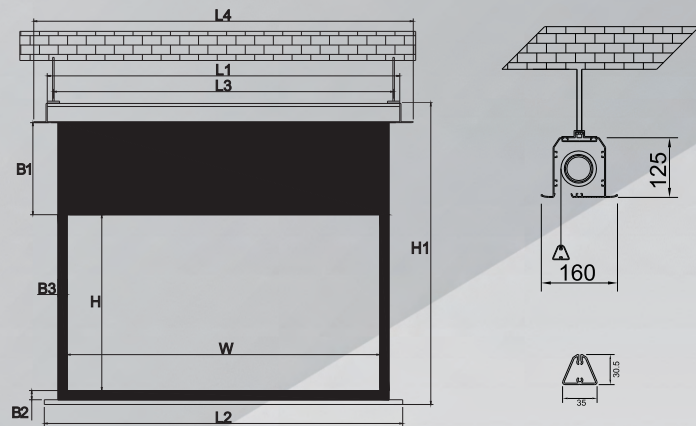
### Surfaces available

Solid White HD 1.0

Solid Grey HD 0.8

Pearl Solid HD 1.1

Unit: mm



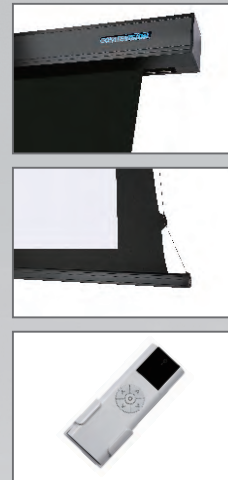
### Specifications

Format	Model	Diag Size inch	Viewing Size W×H	Border			Height H1	Length L1	Bottom Shaft Length L2	Assemble Distance L3	Casing Length L4	Package Volume			GW (Kg)
				B1	B2	B3						PL	PW	PH	
HDTV 16:9	MIC9092	92"	2032×1143	800	60	40	2128	2293	2132	2313	2443	2529	220	180	23.8
	MIC9100	100"	2214×1245	600	60	40	2030	2475	2314	2495	2625	2711	220	180	24.5
	MIC9106	106"	2347×1320	600	60	40	2105	2608	2447	2628	2758	2844	220	180	25.4
	MIC9120	120"	2657×1494	400	60	40	2080	2918	2757	2938	3068	3154	220	180	32.2
	MIC9135	135"	2989×1681	300	60	40	2166	3250	3089	3270	3400	3486	220	180	38.6
	MIC9150	150"	3321×1868	100	60	40	2153	3582	3421	3602	3732	3818	220	180	47.6
Cinemascope 2.35:1	MIC2094	94"	2197×935	800	60	40	1920	2458	2297	2478	2608	2694	220	180	23.5
	MIC2113	113"	2641×1124	800	60	40	2109	2902	2741	2922	3052	3138	220	180	30.2
	MIC2127	127"	2968×1263	600	60	40	2048	3229	3068	3249	3379	3465	220	180	42.2

(Above specification is only for reference. Please refer to our website for more specification.)







# Tab Tensioned Screen

## Features

## TAB-ST Series

Newest square shape housing is more luxury, fashionable and durable.

A large roller tube, a heavy weight bar and the precisely tensioned tabs works together to assure the screen remains perfectly flat.

Quiet tubular heavy duty motor makes the screens roll up and down smoothly.

4K Ultra HD ready Screen surface with wide viewing angle; Texture-free and no hot spotting.

Easy limit control system allows you to adjust the the limit in a snap.

### Control Systems

RF remote control

Wall Control

IR remote control(Optional)

Built-in 12V wire trigger (Optional)

12V wireless trigger(Optional)

RS232 (Optional)

### Surfaces available

Tension White 4K 1.1

Dual Vision 4K 1.1

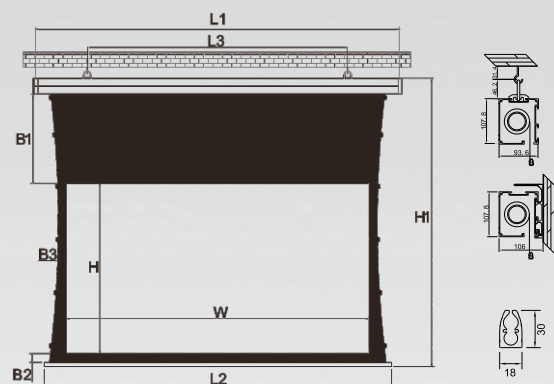
Weave Acoustic HD 1.0

Weave Acoustic 4K 1.1

UltraSilver 3D 2.4

Rear Pro HD 1.1

### Unit: mm



## Specifications

Format	Model	Diag Size inch	Viewing Size W×H	Border				Height H1	Length L1	Bottom Shaft Length L2	Assemble Distance L3		Package Volume			GW (Kg)
				B1	B2	B3	T1				min	max	PL	PW	PH	
HDTV 16:9	TST9092	92"	2032×1143	800	60	60	60	2003	2528	2342	1528	2328	2782	220	180	22.0
	TST9100	100"	2214×1245	600	60	60	60	1905	2710	2524	1710	2510	2964	220	180	24.0
	TST9106	106"	2347×1320	500	60	60	60	1880	2843	2657	1843	2643	3097	220	180	25.0
	TST9112	112"	2480×1395	500	60	60	60	1955	2976	2790	1976	2776	3230	220	180	26.0
	TST9120	120"	2657×1494	400	60	60	60	1955	3153	2967	2153	2953	3407	220	180	26.5
	TST9135	135"	2989×1681	300	60	60	60	2041	3485	3299	2485	3285	3739	220	180	29.0
	TST9150	150"	3321×1868	100	60	60	75	2028	3877	3691	2877	3677	4131	220	180	32.0
Cinemascope 2.35:1	TST2094	94"	2197×935	800	60	60	60	1795	2693	2507	1693	2493	2947	220	180	22.0
	TST2113	113"	2641×1124	800	60	60	60	1984	3137	2951	2137	2937	3391	220	180	26.0
	TST2127	127"	2968×1263	600	60	60	60	1923	3464	3278	2464	3264	3718	220	180	28.6
	TST2130	130"	3039×1293	600	60	60	60	1953	3535	3349	2535	3335	3789	220	180	29.5
	TST2135	135"	3155×1343	600	60	60	60	2003	3651	3465	2651	3451	3905	220	180	30.0
	TST2142	142"	3321×1413	400	60	60	60	1873	3816	3630	2816	3616	4070	220	180	31.5

(Above specification is only for reference. Please refer to our website for more specification.)



# Tab Tensioned Screen

# TAB-ET Series

## Features

The Bigger and thicker streamlined aluminium housing is more elegant and durable.

A large roller tube, a heavy weight bar and the precisely tensioned tabs works together to assure the screen remains perfectly flat.

Quiet tubular heavy duty motor makes the screens roll up and down smoothly.

4K Ultra HD ready Screen surface with wide viewing angle; Texture-free and no hot spotting.

Easy limit control system allows you to adjust the the limit in a snap.

## Control Systems

RF remote control

Wall control

IR remote control (Optional)

Built-in 12V wire trigger (Optional)

## Surfaces available

Tension White 4K 1.1

Dual Vision 4K 1.1

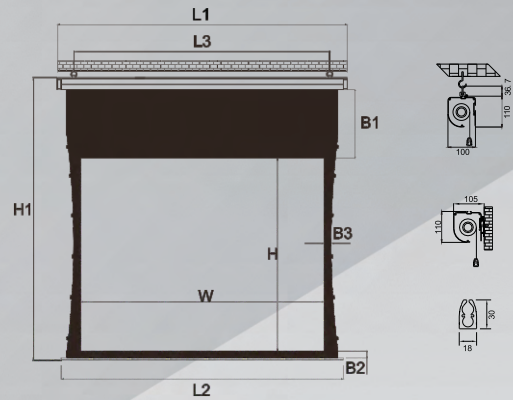
Weave Acoustic HD 1.0

Weave Acoustic 4K 1.1

UltraSilver 3D 2.4

Rear Pro HD 1.1

Unit: mm

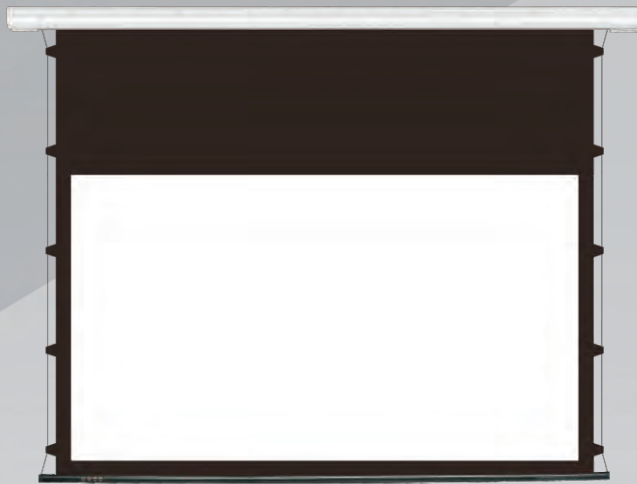


## Specifications

Format	Model	Diag Size inch	Viewing Size W×H	Border				Height H1	Length L1	Bottom Shaft Length L2	Assemble Distance L3		Package Volume			GW (Kg)
				B1	B2	B3	T1				min	max	PL	PW	PH	
HDTV 16:9	TET9092	92"	2032×1143	800	60	60	60	2003	2528	2342	1528	2328	2782	220	180	20.0
	TET9100	100"	2214×1245	600	60	60	60	1905	2710	2524	1710	2510	2964	220	180	22.0
	TET9106	106"	2347×1320	500	60	60	60	1880	2843	2657	1843	2643	3097	220	180	22.8
	TET9112	112"	2480×1395	500	60	60	60	1955	2976	2790	1976	2776	3230	220	180	23.5
	TET9120	120"	2657×1494	400	60	60	60	1954	3153	2967	2153	2953	3407	220	180	24.0
	TET9135	135"	2989×1681	300	60	60	60	2041	3485	3299	2485	3285	3739	220	180	26.0
	TET9150	150"	3321×1868	100	60	60	75	2028	3877	3691	2877	3677	4131	220	180	29.0
Cinemascope 2.35:1	TET2094	94"	2197×935	800	60	60	60	1795	2693	2507	1693	2493	2947	220	180	20.0
	TET2113	113"	2641×1124	800	60	60	60	1984	3137	2951	2137	2937	3391	220	180	23.5
	TET2127	127"	2968×1263	600	60	60	60	1923	3464	3278	2464	3264	3718	220	180	26.0
	TET2130	130"	3039×1293	600	60	60	60	1953	3535	3349	2535	3335	3789	220	180	26.5
	TET2135	135"	3155×1343	600	60	60	60	2003	3651	3465	2651	3451	3905	220	180	27.0
	TET2142	142"	3321×1413	400	60	60	60	1873	3816	3630	2816	3616	4070	220	180	28.5

(Above specification is only for reference. Please refer to our website for more specification.)





# Tab Tensioned Screen

# TAB-CT Series

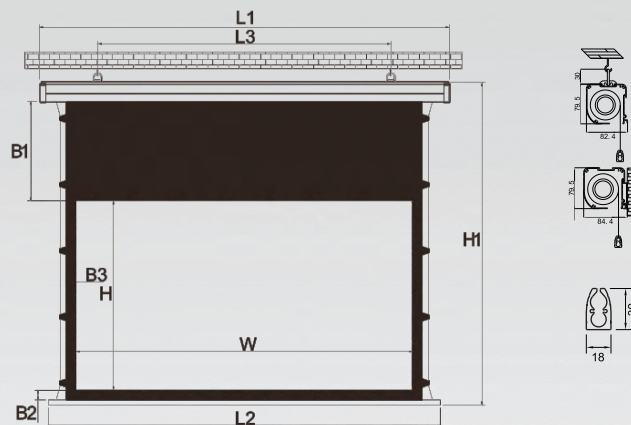
## Features

- The professional all aluminium housing is both durable and attractive.
- A large roller tube, a heavy weight bar and the precisely tensioned tabs works together to assure the screen remains perfectly flat.
- Quiet tubular heavy duty motor makes the screens roll up and down smoothly.
- Imported high quality tension string garranty a great lifetime work.
- Easy limit control system allows you to adjust the the limit in a snap.

## Control Systems

- RF remote control
- Wall control
- IR remote control (Optional)
- Built-in 12V wire trigger (Optional)

Unit: mm



## Surfaces available

- Solid White HD 1.0
- Solid Grey HD 0.8
- Pearl Solid HD 1.1

## Specifications

Format	Model	Diag Size inch	Viewing Size W×H	Border				Height H1	Length L1	Bottom Shaft Length L2	Assemble Distance L3		Package Volume			GW (Kg)
				B1	B2	B3	T1				min	max	PL	PW	PH	
HDTV 16:9	TCT9092	92"	2032×1143	600	60	60	40	1803	2522	2332	1522	2322	2792	180	175	14.0
	TCT9100	100"	2214×1245	600	60	60	40	1905	2704	2514	1704	2504	2974	180	175	15.2
	TCT9106	106"	2347×1320	600	60	60	40	1980	2837	2647	1837	2637	3107	180	175	15.8
	TCT9110	110"	2435×1370	400	60	60	40	1830	2925	2735	1925	2725	3195	180	175	16.3
	TCT9120	120"	2657×1494	300	60	60	40	1854	3147	2957	2147	2947	3417	180	175	17.2
Cinemascope 2.35:1	TCT2080	80"	1870×796	600	60	60	40	1456	2360	2170	1360	2160	2630	180	175	11.0
	TCT2087	87"	2033×865	600	60	60	40	1525	2523	2333	1523	2323	2793	180	175	11.8
	TCT2094	94"	2197×935	600	60	60	40	1595	2687	2497	1687	2487	2957	180	175	12.8
	TCT2113	113"	2641×1124	600	60	60	40	1784	3131	2941	2131	2931	3401	180	175	14.2
	TCT2125	127"	2968×1263	400	60	60	40	1723	3458	3268	2458	3258	3728	180	175	15.5

(Above specification is only for reference. Please refer to our website for more specification.)



# Motorized Screen Motor-SE Series

## Features

- The Bigger and thicker aluminium housing in square shape is more elegant and durable.
- Optional four-layer fiberglass enforce screen material which is extremely strong and resilient.
- Thicker tube to give a strong support to avoid V shape and eliminates noise effectly.
- Low noise and high performance tubular motor.
- Unique sliding "L"brackets to provide super easy installation on a wall or ceiling for maximum installation versatility.
- Professional packing solution to reduce risk of transportation damage.

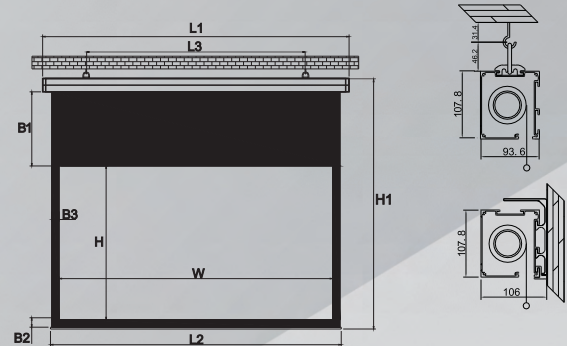
## Control Systems

- RF remote control
- Wall Control
- IR remote control(Optional)
- Built-in 12V wire trigger (Optional)
- 12V wireless trigger(Optional)
- RS232 (Optional)

## Surfaces available

- Solid White HD 1.0
- Solid Grey HD 0.8
- Pearl Solid HD 1.1

Unit: mm



## Specifications

Format	Model	Diag Size inch	Viewing Size W×H	Border			Height H1	Length L1	Bottom Shaft Length L2	Assemble Distance L3		Package Volume			GW (Kg)
				B1	B2	B3				min	max	PL	PW	PH	
HDTV 16:9	MSE9092	92"	2032×1143	800	60	40	2111	2293	2132	1293	2093	2529	220	180	15.6
	MSE9100	100"	2214×1245	600	60	40	2013	2475	2314	1475	2275	2711	220	180	16.8
	MSE9106	106"	2347×1320	600	60	40	2088	2608	2447	1608	2408	2844	220	180	17.6
	MSE9120	120"	2657×1494	400	60	40	2062	2918	2757	1918	2718	3154	220	180	20.0
	MSE9128	128"	2834×1594	400	60	40	2162	3095	2934	2095	2895	3331	220	180	21.0
	MSE9135	135"	2989×1681	300	60	40	2149	3250	3089	2250	3050	3486	220	180	22.5
	MSE9150	150"	3321×1868	100	60	40	2136	3582	3421	2582	3382	3818	220	180	27.5
Cinemascope 2.35:1	MSE2080	80"	1870×796	800	60	40	1764	2131	1970	1131	1931	2367	220	180	13.0
	MSE2087	87"	2033×865	800	60	40	1833	2294	2133	1294	2094	2530	220	180	14.0
	MSE2094	94"	2197×935	800	60	40	1903	2458	2297	1458	2258	2694	220	180	15.0
	MSE2113	113"	2641×1124	800	60	40	2092	2902	2741	1902	2702	3138	220	180	18.0
	MSE2127	127"	2968×1263	600	60	40	2031	3229	3068	2229	3029	3465	220	180	20.0

(Above specification is only for reference. Please refer to our website for more specification.)







# Motorized Screen Motor-EE Series

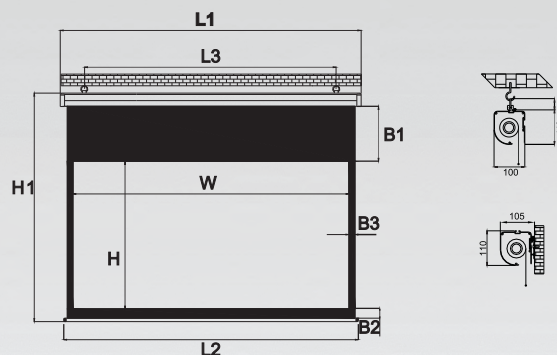
## Features

- The Bigger and thicker streamlined aluminium housing is more stylish and durable.
- Optional four-layer fiberglass enforce screen material which is extremely strong and resilient.
- Thicker tube to give a strong support to avoid V shape and eliminates noise effectly.
- Low noise and high performance tubular motor.
- Unique sliding "L"brackets to provide super easy installation on a wall or ceiling for maximum installation versatility.
- Professional packing solution to reduce risk of transportation damage.

## Control Systems

- RF remote control
- Wall control
- IR remote control (Optional)
- Built-in 12V wire trigger (Optional)

Unit: mm



## Surfaces available

- Solid White HD 1.0
- Solid Grey HD 0.8
- Pearl Solid HD 1.1

## Specifications

Format	Model	Diag Size inch	Viewing Size W×H	Border			Height H1	Length L1	Bottom Shaft Length L2	Assemble Distance L3		Package Volume			GW (Kg)
				B1	B2	B3				min	max	PL	PW	PH	
HDTV 16:9	MEE9092	92"	2032×1143	800	60	40	2113	2293	2132	1293	2093	2529	220	180	14.2
	MEE9100	100"	2214×1245	600	60	40	2015	2475	2314	1475	2711	220	180	15.3	
	MEE9106	106"	2347×1320	600	60	40	2090	2608	2447	1608	2408	2844	220	180	16.0
	MEE9120	120"	2657×1494	400	60	40	2064	2918	2757	1918	2718	3154	220	180	18.0
	MEE9128	128"	2834×1594	400	60	40	2164	3095	2934	2095	2895	3331	220	180	19.0
	MEE9135	135"	2989×1681	300	60	40	2151	3250	3089	2250	3050	3486	220	180	20.5
MEE9150	150"	3321×1868	100	60	40	2138	3582	3421	2582	3382	3818	220	180	25.0	
Cinemascope 2.35:1	MEE2080	80"	1870×796	800	60	40	1766	2131	1970	1131	1931	2367	220	180	12.0
	MEE2087	87"	2033×865	800	60	40	1835	2294	2133	1294	2094	2530	220	180	13.0
	MEE2094	94"	2197×935	800	60	40	1905	2458	2297	1458	2258	2694	220	180	14.0
	MEE2113	113"	2641×1124	800	60	40	2094	2902	2741	1902	2702	3138	220	180	16.5
	MEE2127	127"	2968×1263	600	60	40	2033	3229	3068	2229	3029	3465	220	180	18.5

(Above specification is only for reference. Please refer to our website for more specification.)

# Motorized Screen Motor-CE Series

## Features

- The professional all aluminium housing is both durable and attractive.
- The newly released unique design will make your product line distinguish.
- Optional four-layer fiberglass enforce screen material which is extremely strong and resilient.
- Thicker tube to give a strong support to ensure a perfectly flat and wrinkle free surface.
- Low noise and high performance tubular motor.
- Unique sliding "L" brackets to provide super easy installation on a wall or ceiling for maximum installation versatility.

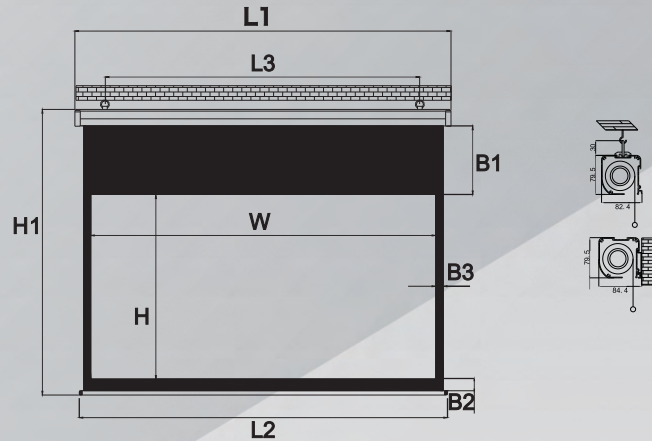
## Control Systems

- RF remote control
- Wall control
- IR remote control (Optional)
- Built-in 12V wire trigger (Optional)

## Surfaces available

- Solid White HD 1.0
- Solid Grey HD 0.8
- Pearl Solid HD 1.1

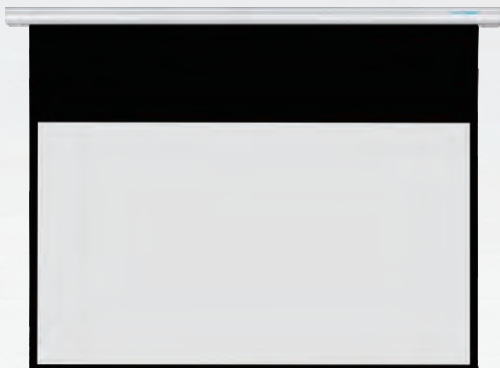
Unit: mm



## Specifications

Format	Model	Diag Size inch	Viewing Size W×H	Border			Height H1	Length L1	Bottom Shaft Length L2	Assemble Distance L3		Package Volume			GW (Kg)
				B1	B2	B3				min	max	PL	PH	PW	
HDTV 16:9	MCE9092	92"	2032×1143	500	60	40	1783	2322	2142	1322	2122	2592	170	160	14.0
	MCE9100	100"	2214×1245	500	60	40	1885	2504	2324	1504	2304	2774	170	160	15.0
	MCE9106	106"	2347×1320	400	60	40	1860	2637	2457	1637	2437	2907	170	160	15.5
	MCE9120	120"	2657×1494	400	60	40	2034	2947	2767	1947	2747	3217	170	160	16.0
	MCE9128	128"	2834×1594	400	60	40	2134	3124	2944	2124	2924	3394	170	160	18.0
Cinemascope 2.35:1	MCE2080	80"	1870×796	500	60	40	1436	2160	1980	1160	1960	2430	170	160	12.0
	MCE2087	87"	2033×865	500	60	40	1505	2323	2143	1323	2123	2593	170	160	13.0
	MCE2094	94"	2197×935	500	60	40	1575	2487	2307	1487	2287	2757	170	160	14.0
	MCE2113	113"	2641×1124	500	60	40	1764	2931	2751	1931	2731	3201	170	160	16.0
	MCE2127	127"	2968×1263	400	60	40	1803	3258	3078	2258	3058	3528	170	160	18.3

(Above specification is only for reference. Please refer to our website for more specification.)







# Manual Screen Manual-CW Series

## Features

The professional all aluminium housing is both durable and attractive.

The housing is made of durable solid one piece aluminum for years of trouble-free operation.

Adjustable floating L-brackets make ceiling or wall installation extremely easy.

Patented safe and screen controlled return and self-position locking mechanism provides more safety insurance.

Professional packing solution to reduce risk of transportation damage, ensure a perfect flat surface.

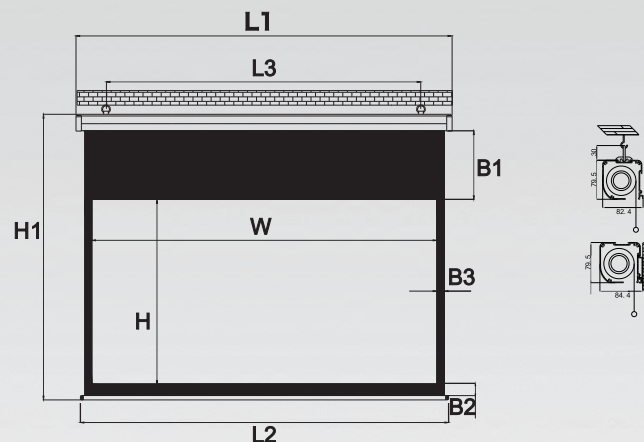
## Surfaces available

Solid White HD 1.0

Solid Grey HD 0.8

Pearl Solid HD 1.1

## Unit: mm



## Specifications

Format	Model	Diag Size inch	Viewing Size W×H	Border			Height H1	Length L1	Bottom Shaft Length L2	Assemble Distance L3		Package Volume			GW (Kg)
				B1	B2	B3				min	max	PL	PW	PH	
HDTV 16:9	CWS9084	84"	1860×1046	500	60	40	1686	1930	1900	930	1730	2050	170	160	9.5
	CWS9092	92"	2032×1143	500	60	40	1783	2102	2072	1102	1902	2222	170	160	11.0
	CWS9100	100"	2214×1245	500	60	40	1885	2284	2254	1284	2084	2404	170	160	12.0
	CWS9106	106"	2347×1320	400	60	40	1860	2417	2387	1417	2217	2537	170	160	12.5
	CWS9120	120"	2657×1494	400	60	40	2034	2727	2697	1727	2527	2847	170	160	13.0
Cinemascope 2.35:1	CWS2080	80"	1870×796	500	60	40	1436	1940	1910	940	1740	2060	170	160	9.0
	CWS2087	87"	2033×865	500	60	40	1505	2103	2073	1103	1903	2223	170	160	10.0
	CWS2094	94"	2197×935	500	60	40	1575	2267	2237	1267	2067	2387	170	160	11.0
	CWS2113	113"	2641×1124	500	60	40	1764	2711	2681	1711	2511	2831	170	160	13.0
	CWS2120	120"	2805×1194	500	60	40	1834	2875	2845	1875	2675	2995	170	160	14.5

(Above specification is only for reference. Please refer to our website for more specification.)

# Motorized Floor Stand Screen

## Features

Easy Control with the RF remote control.

Low noise and high performance tubular motor to make the screen roll up and down smoothly in a fast speed.

High quality screen surface which is perfectly flat, providing crystal-clear brilliant picture quality.

Fashionable black aluminium case for extremely portable screen which is easy to carry and store.

Unique anti-pinch hand designed to assure safety usage.

Professional packing solution to reduce risk of transportation damage, ensure a perfect flat surface.

## Control Systems

RF remote control

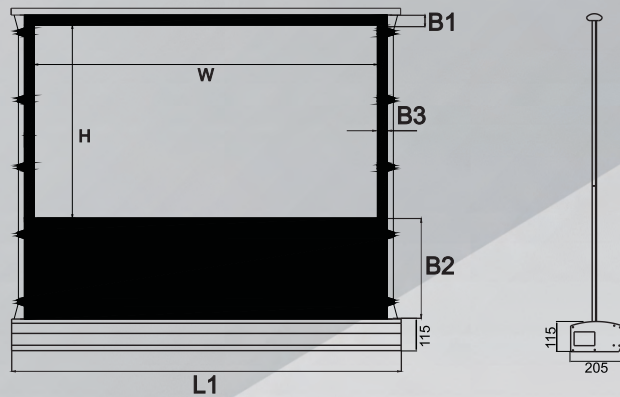
Unit: mm

## Surfaces available

Solid White HD 1.0

Solid Grey HD 0.8

Pearl Solid HD 1.1



## Specifications

Format	Model	Diag Size inch	Viewing Size W×H	Border			Length L1	Package Volume			GW (Kg)
				B1	B2	B3		PL	PW	PH	
<b>HDTV</b> <b>16:9</b>	EFS9092	92"	2032×1143	600	75	80	2272	2472	310	220	33.5
	EFS9100	100"	2214×1245	600	75	80	2454	2654	310	220	36.0
	EFS9106	106"	2347×1320	600	75	80	2587	2787	310	220	38.0
	EFS9120	120"	2657×1494	600	75	80	2897	3097	310	220	42.5
<b>VIDEO</b> <b>4:3</b>	EFS3100	100"	2032×1524	600	75	80	2272	2472	310	220	33.0
	EFS3120	120"	2438×1829	600	75	80	2678	2878	310	220	39.0

(Above specification is only for reference. Please refer to our website for more specification.)







# Floor Stand Screen

# Floor-CD Series

## Features

Elegant black aluminium housing for extremely portable screen which is easy to carry and store.

Just place the screen where you want it, snap open the case, and lift up the screen.

Pneumatic air pistons on the back of the screen keep the screen material tight and upright.

Black border is included for easy viewing.

The height of feet could be adjusted in case the floor is not flat.

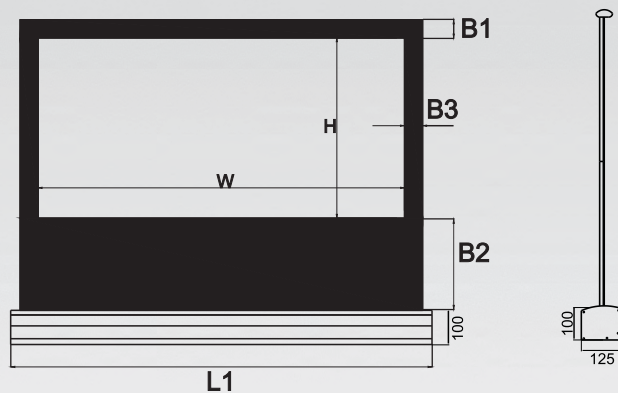
## Surfaces available

Solid White HD 1.0

Solid Grey HD 0.8

Pearl Solid HD 1.1

## Unit: mm



## Specifications

Format	Model	Diag Size inch	Viewing Size W×H	Border			Length L1	Package Volume			GW (Kg)
				B1	B2	B3		PL	PW	PH	
HDTV 16:9	FSS9084	84"	1860×1046	670	50	70	2090	2190	185	165	14.0
	FSS9092	92"	2032×1143	970	50	70	2262	2362	185	165	15.3
	FSS9100	100"	2214×1245	970	50	70	2444	2544	185	165	16.5
VIDEO 4:3	FSS3060	60"	1219×914	670	50	70	1449	1549	185	165	9.0
	FSS3080	80"	1626×1219	670	50	70	1856	1956	185	165	11.5
	FSS3100	100"	2032×1524	970	50	70	2262	2362	185	165	14.0

(Above specification is only for reference. Please refer to our website for more specification.)

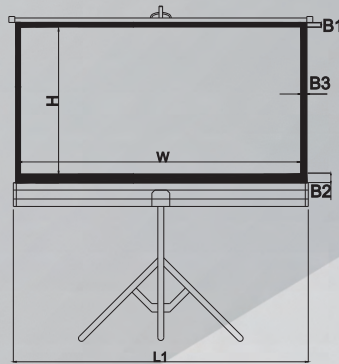
# Tripod Screen Tripod-CZ Series

## Features

- Unique round-shap housing which is fashionable and attractive.
- Black border is included for easy viewing.
- Featured adjustable telescoping mechanism for raising and lowering the screen surface as desired.
- The screen height is adjustable with a locking extension tube and can be easily made to suit different projectors.
- Fabric is mildew-proof, burn-resistant, and antistatic treatment which keeps the dust from accumulating.
- Professional packing solution to reduce risk of transportation damage.

## Surfaces available Unit: mm

- Solid White HD 1.0
- Solid Grey HD 0.8
- Pearl Solid HD 1.1



## Specifications

Format	Model	Diag Size inch	Viewing Size W×H	Border			Length L1	Package Volume			GW (Kg)
				B1	B2	B3		PL	PW	PH	
HDTV 16:9	TCZ9084	84"	1860×1046	40	40	40	2020	2128	180	150	10.3
	TCZ9092	92"	2032×1143	40	40	40	2192	2300	180	150	11.3
	TCZ9100	100"	2214×1245	40	40	40	2374	2482	180	150	12.5
VIDEO 4:3	TCZ3084	84"	1707×1280	40	40	40	1867	1975	180	150	9.8
	TCZ3100	100"	2032×1524	40	40	40	2192	2300	180	150	11.5
	TCZ3120	120"	2438×1829	40	40	40	2598	2706	180	150	13.6

(Above specification is only for reference. Please refer to our website for more specification.)







# Fast Fold Screen

# Fold-EQ Series

## Features

Designed to withstand the rigors of constant set up and tear down while retaining its excellent performance.

The sleek, heavy-duty aluminum frame and legs are both durable and attractive.

Designed locking mechanism provides a flat screen surface when snapping the fabric on.

No parts need to be dismantled, and can be taken down or set up without any tools.

Professional packing solution to reduce risk of transportation damage.

## Surfaces available

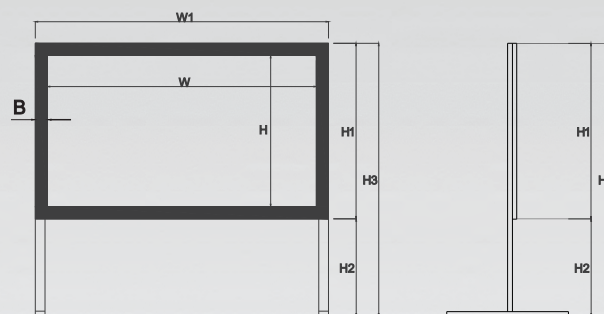
Villa White 4K 1.1

Villa Grey 4K 0.8

Dual Vision HD 1.0

Dual Vision 4K 1.1

## Unit: mm



## Specifications

Format	Model	Diag Size inch	Viewing Size W×H	W1	H1	Border B	H2 (max)	H2 (min)	H3 (max)	H3 (min)	Package Volume			GW (Kg)
											PL	PW	PH	
HDTV 16:9	FEQ9100	100"	2214×1245	2364	1395	75	1060	220	2456	1616	1310	370	360	26.0
	FEQ9120	120"	2657×1495	2807	1645	75	1012	262	2655	1905	1160	370	360	29.5
	FEQ9150	150"	3321×1868	3471	2018	75	1324	274	3340	2290	1290	460	340	38.5
	FEQ9180	180"	3985×2242	4135	2392	75	1214	164	2545	3595	1210	460	340	42.0
	FEQ9200	200"	4428×2491	4578	2641	75	789	188	2828	3428	1290	460	340	45.0
	FEQ9250	250"	5535×3113	5735	3313	100	1423	373	4735	3685	1540	510	480	81.0
	FEQ9300	300"	6642×3736	6842	3936	100	1294	294	5224	4224	1720	540	480	106.0
VIDEO 4:3	FEQ3100	100"	2032×1524	2192	1684	80	990	150	2670	1830	1020	260	260	26.0
	FEQ3120	120"	2438×1829	2588	1979	75	769	169	2749	2149	1160	370	360	29.5
	FEQ3150	150"	3048×2286	3198	2436	75	927	177	3402	2652	1210	460	340	38.5
	FEQ3180	180"	3658×2743	3808	2893	75	1261	211	4157	3107	1210	460	340	42.0
	FEQ3200	200"	4064×3048	4214	3198	75	1111	211	4307	3047	1210	460	340	45.0
	FEQ3250	250"	5080×3810	5280	4010	100	922	172	4935	4185	1540	510	480	81.0
	FEQ3300	300"	6096×4572	6296	4772	100	1498	248	6270	5020	1720	540	480	106.0

(Above specification is only for reference. Please refer to our website for more specification.)

DEDICATED IN PREMIUM SCREENS  
**COMTEVISION**<sup>®</sup>  
[www.comtevision.com](http://www.comtevision.com)



Add: No. 13 Building,Hulu Road,Lang xia No. 1 Industrial Park,Songgang, Baoan, Shenzhen, China  
Tel: 86 755 8995 8369  
Fax: 86 755 2968 3823  
Email: [info@comtevision.com](mailto:info@comtevision.com)